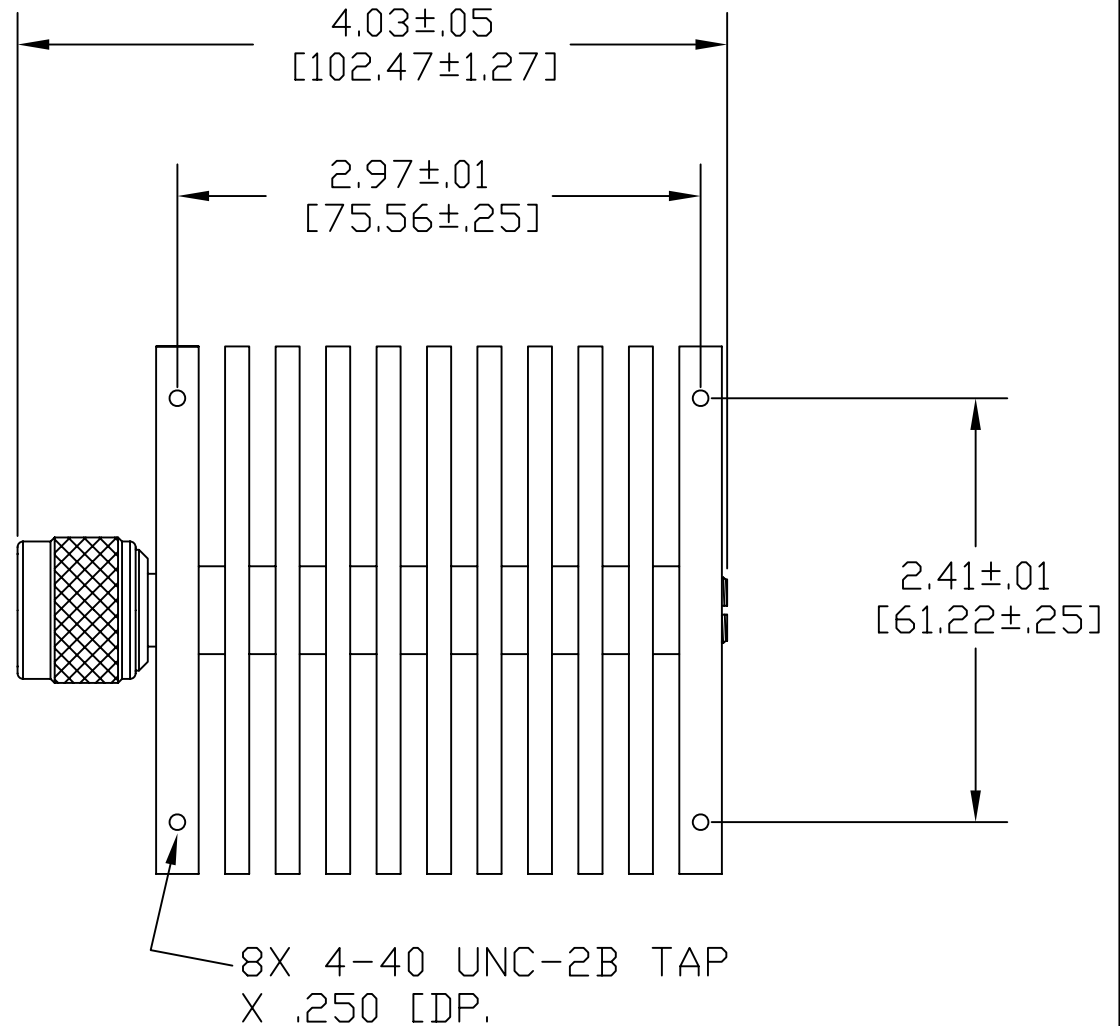
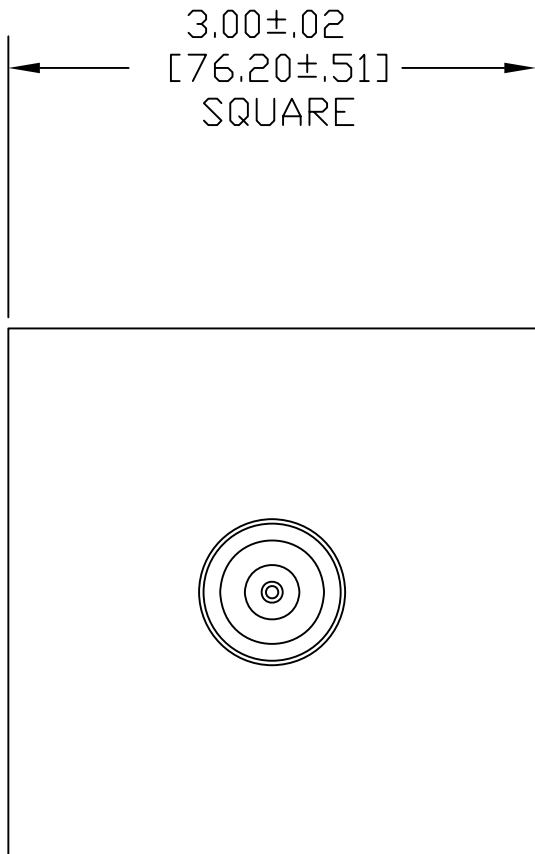


Approved Internet/Email Copy



BroadWave Technologies, Inc.

ECF#	DONE BY	DATE	REV

Proprietary Information

TOLERANCE CHART			
Fractional Dimensions	± 1/64	2 Place Decimals	± .010
Angular Dimensions	± 1/2 degree	3 Place Decimals	± .005

APPROVALS

MATERIAL SPECIFICATION INFORMATION

50 Watt Termination N Male

DRAWN BY
AK

DATE
11-2-07

MATERIAL TYPE

DWG. NO. **MED - 0745** DATE **11-2-07** SCALE **1 : 1** REV LEVEL **REV 0**

APPRVD BY

DATE

FINISH
Black Anodized Aluminum